

Features and Benefits

- Footprint: ~21.6mm x 23.7mm x 1.5mm (w/o shield)
- Mobile OS Support includes: Linux[®], Windows Mobile[®], Nucleus[®] and VxWorks[®]
- Host Interfaces: SDIO/USB

WiMAX95xx Product Brief *WiMAX Embedded Module*

The WiMAX95xx is the first generation WiMAX module in the SyMAX[™] family of products.

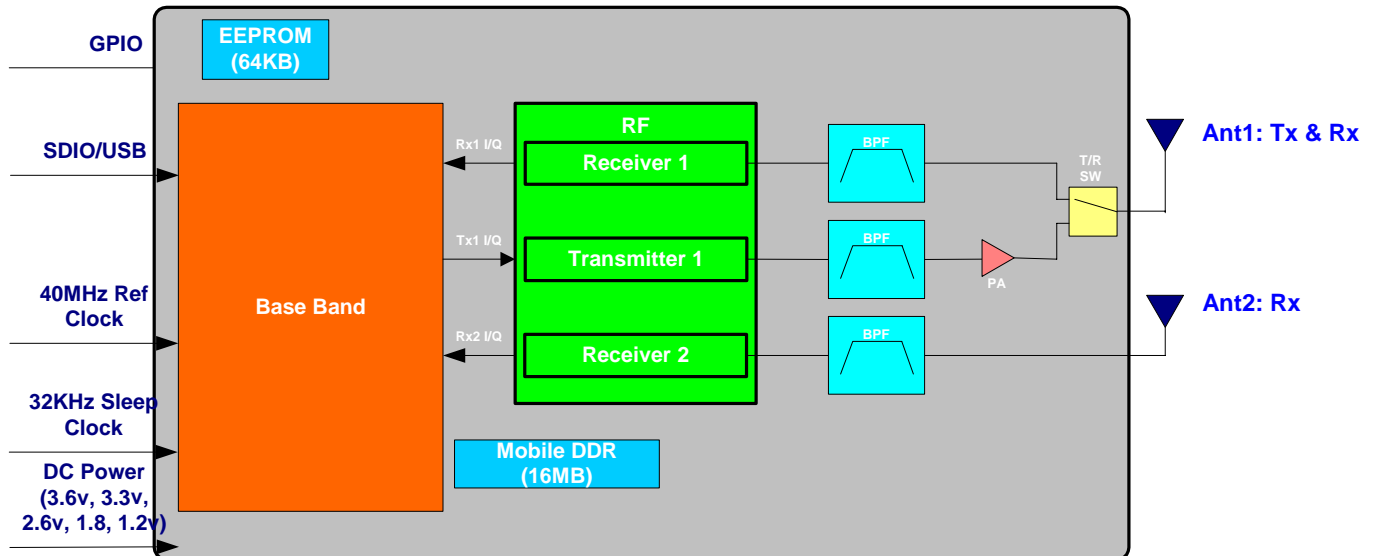
Integrated within the module are a host of active and passive components resulting in a single simple package for the customer. On module components include the Baseband/MAC IC, Radio Frequency (RF) transceiver, Power Amplifier (PA), EEPROM, and DDR-SDRAM.

Along with the module, SyChip provides the drivers and Application Layer interfaces that allow content providers, manufacturers and original equipment manufacturers the flexibility to integrate and optimize their respective applications (VoIP, Video/Audio streaming).

This module is targeted to consumer electronics (Handsets, Ultra Mobile Personal Computers, Personal Media Players, Portable Gaming Console and Navigational devices) where high integration and fast design cycles are highly valued.

The module integrates the latest silicon technology for mobile client WiMAX offering the best feature set while minimizing space and power consumption.

The module comes in a Quad Flat No-Lead (QFN) package and allows direct attachment to the main Printed Circuit Board utilizing industry standard interface mount technology processing for high volume production.



WiMAX Basic Module Functional Block Diagram

Specifications:

- Standards Conformance: IEEE 802.16e
- Frequency Range: 2.5 to 2.7 GHz
- Channel band width: 10MHz, 8.75MHz, 7MHz and 5MHz
- Transceiver: 1x 2 MIMO
- Package: 80-pin QFN
- External DC supplies: 3.6v, 3.3v, 2.6v, 1.8v, 1.2v
- External reference clocks: 40MHz (TCXO Oscillator)
- External sleep clock: 32.768KHz (Oscillator)
- Host interface digital I/O Voltage Level: 3.3v
- RF Power: +23dBm
- Physical Dimensions: ~21.6mm x 23.7mm x 1.5 mm (w/o shield)
- Antenna Interface: PCB pad
- Host Interfaces: SDIO, USB
- Security: EAP-SIM, EAP-AKA, EAP-TLS
- Operating Systems Supported: Linux[®], Windows Mobile[®], Nucleus[®], VxWorks[®]
- RoHS compliant

Visit our website: www.sychip.com

Corporate Headquarters
Parkway Centre II
2805 North Dallas Parkway, Suite 400
Plano, TX 75093 U. S. A.
Tel: (1) 972-202-8888 • Fax: (1) 972-633-0327